

OSDP

MiFare Card Reader

Product code: **SSR-204**

Unmatched Read/Write capabilities



KEY FEATURES

- Supports Wiegand and OSDP protocol
- Supports reading EM card (Frequency: 125 KHz)
- Supports reading Mifare card (Frequency: 13.56 MHz).
- Reads Desfire & Felica cards
- Attractive LED status indication
- Built-in buzzer for status indication

The **SSR-204 OSDP Mifare Card Reader** maximizes security and access control for your premises.

With Mifare technology, the reader can authenticate Mifare cards, including Mifare 1K, 4K, and Ultralight.

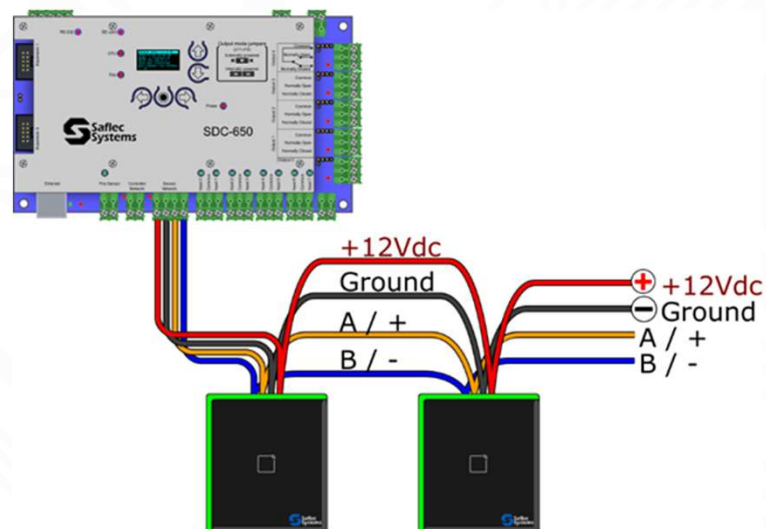
The Wiegand interface ensures seamless data transmission to the SACS access control system

Installation is easy, and the reader is configurable using the SACS software interface.

When a user presents their access card or tag, the reader transmits the card number to the door controller for analysis based on predetermined access rules.

The controller then determines access permission, which is conveyed to the reader, providing appropriate feedback to the user through LED and buzzer signals.

OSDP Wiring



The sleek and modern design enhances the aesthetic appeal of any building, and the reader seamlessly connects to our range of controllers, including the SDC-650 Multiple Door Controller, the SDC-620 Wiegand Door Controller, and the SDC-320 Wiegand Two Door Controller.

It is also capable of reading ISO 14443-A frequency cards, including Mifare/Desfire/Felica (13.56 MHz), and provides indication of a successful card read using the internal buzzer.

PRODUCT SPECIFICATIONS

Power requirements

Operating Voltage (DC)	12Vdc
Maximum Current	170 mA

Environmental characteristics

Operating Temperature	-20°C to +65°C
Operating Humidity	+10% to +90% (Non-condensing)
Enclosure Rating	IP65

Functioning Characteristics

Communication Protocol	RS-485/Wiegand (Set via Dip Switch)
ID Settings	Via Dip Switch
Card Reading Distance	≤ 50 mm
Card Radio Frequency	ISO 14443-A

Hardware Attributes

Processor	32 bit
Audio Alert	Beeper
Keypad	DS-K1108AM
Indicator	Power Indicator; Status LED indicator
Installation	Wall Mounting
Approval	FCC,CE